

RBJ400M

Metric Spherical Bearings,
Split construction, Ground track

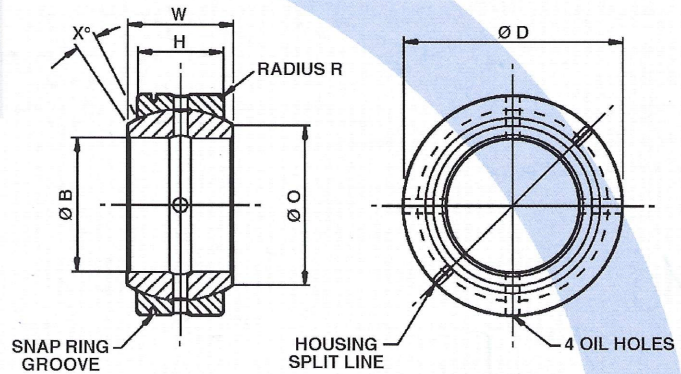


Outer race

1% carbon chromium steel
Heat treated
Phosphated all over

Ball

1% carbon chromium steel
Heat treated
Phosphated all over



Rose part no	B	D	W	H	O	R	X	Diametral clearance	Max static radial load	Max static axial load	Weight
	Bore dia	Race dia	Ball width	Race width	Ball face dia	Race Radius	Angle				
RBJ	+0 -0,013	+0 -0,013	+0 -0,15	+0 -0,15			deg	max	N	N	kg
412M	12	22	10	7	15,0	0,5	11	0,08	61780	10790	0,017
415M	15	26	12	9	18,4	0,5	9	0,08	97080	22950	0,032
417M	17	30	14	10	20,7	0,5	10,5	0,08	122580	27950	0,049
420M	20	35	16	12	25,4	0,5	9	0,08	176520	40300	0,065
425M	25	42	20	16	31,1	0,5	7,5	0,09	290270	78450	0,115
430M	30	47	22	18	33,4	0,5	7	0,09	353030	102970	0,160
435M	35	55	25	20	39,8	1,0	7	0,09	460900	122580	0,258
440M	40	62	28	22	46,2	1,0	7	0,10	582510	152000	0,315
445M	45	68	32	25	50,8	1,0	7,5	0,10	735490	196130	0,413
450M	50	75	35	28	56,0	1,0	7	0,10	906120	264780	0,560
	+0 -0,015	+0 -0,020	+0 -0,15	+0 -0,15							
460M	60	90	44	36	66,8	1,5	6,5	0,13	1412140	446200	2,817
470M	70	105	49	40	81,4	1,5	6	0,13	1863240	519750	4,432
480M	80	120	55	45	93,0	1,5	6	0,13	2382980	715870	4,940
	+0 -0,020	+0 -0,025	+0 -0,15	+0 -0,15							
490M	90	130	60	50	101,6	2,0	5,5	0,15	2892920	882580	8,116
4100M	100	150	70	55	115,4	2,0	7	0,15	3648020	1078720	4,432
4110M	110	160	70	55	127,0	2,0	6,5	0,15	3883370	1029680	4,940
4120M	120	180	85	70	141,4	2,0	6	0,15	5658350	1686720	8,116
	+0 -0,025	+0 -0,030	+0 -0,15	+0 -0,15							
4140M	140	210	90	70	167,3	3,0	6,5	0,15	6521320	1618070	11,35
	+0 -0,030	+0 -0,040	+0 -0,15	+0 -0,15							
4160M	160	230	105	80	181,8	3,0	7,5	0,20	8237460	2098590	14,36
4180M	180	260	105	80	215,8	3,0	6,5	0,20	9414240	3049820	18,87
	+0 -0,040	+0 -0,050	+0 -0,15	+0 -0,15							
4200M	200	290	130	100	236,6	3,5	7	0,20	13238770	3108660	28,10

Dimensions in millimetres

For other sizes and options please contact Rose Bearings.

Please consult Rose Bearings for availability of bearings in this series.

Rose Bearings operates a policy of continual improvement, and therefore reserves the right to revise specifications without notice.

Rose Bearings Ltd - Doddington Road, Lincoln LN6 3RA UK TEL: 01522 500933 FAX:01522 696485